



Bar Grating

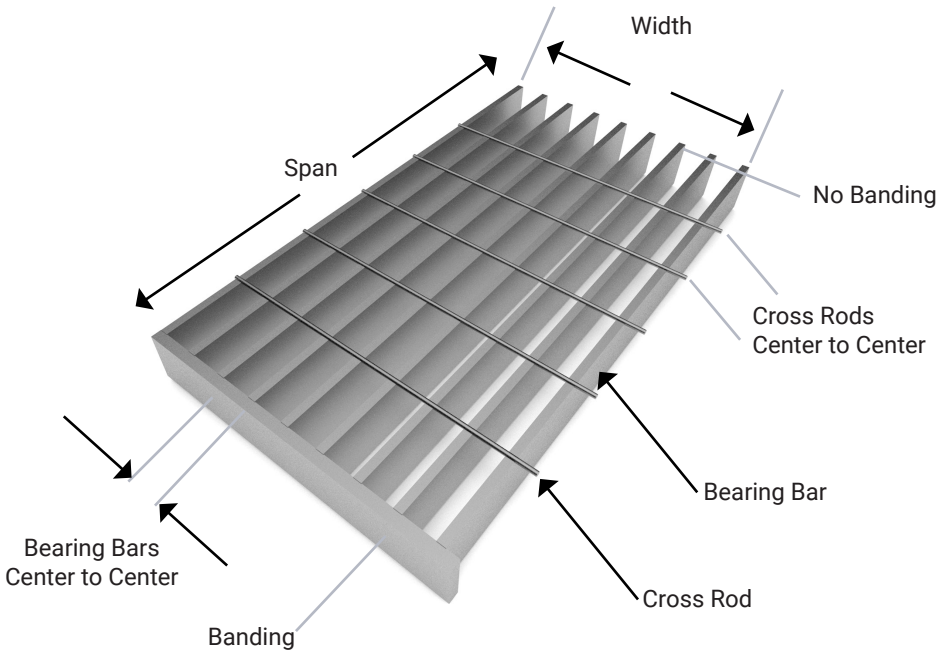
# BAR GRATING

*"Used universally for walkway and catwalk decking applications. Ideal for most commercial and industry uses."*

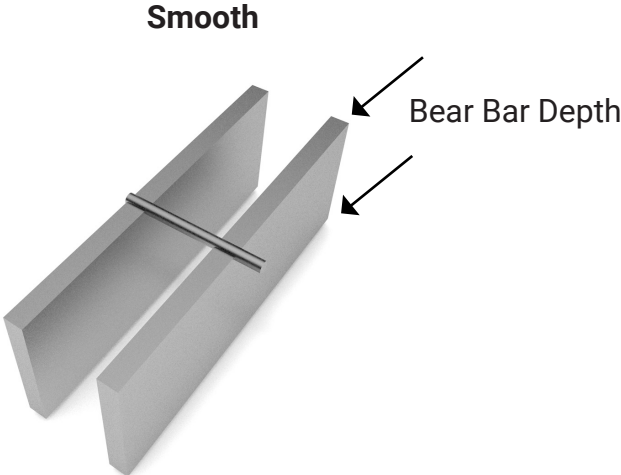
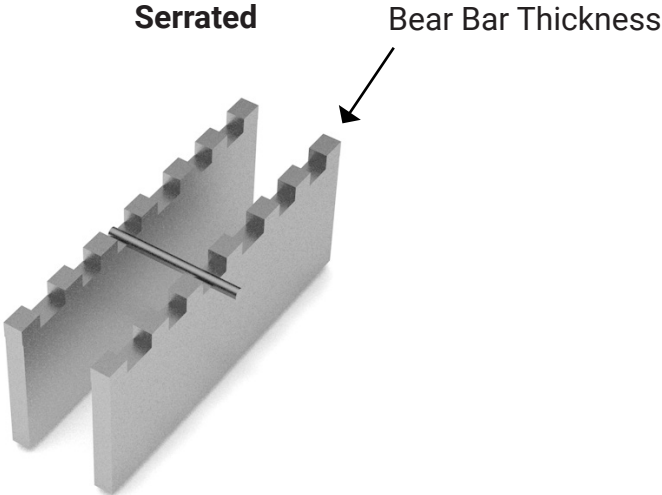
Let us supply your bar grating needs. We can offer a wide variety of panels from stock or custom fabricate to your needs. We offer steel, aluminum, also stair tread(with or without nosing), and fiberglass grating for your needs.

BAR SIZE	19-W-4	19-W-2	15-W-4	15-W-2
3/4" X 3/16"	6.0	6.0	6.6	7.3
1" X 1/8"	5.5	5.5	5.9	6.6
1" X 1/16"	7.2	7.2	8.6	9.2
1" X 1/4"	10.0	10.0	11.5	12.3
1 1/4" X 1/8"	6.4	6.4	7.2	7.8
1 1/4" X 3/16"	9.0	9.0	10.4	11.1
1 1/4" X 1/4"	12.0	12.0	14.1	14.9
1 1/2" X 1/8"	7.5	7.5	8.3	9.1
1 1/2" X 3/16"	10.6	10.6	12.4	13.0
1 1/2" X 1/4"	14.2	14.2	16.8	17.6
1 3/4" X 3/16"	13.2	13.2	14.6	15.4
1 3/4" X 1/4"	17.4	17.4	19.9	20.8
2 X 3/16"	14.8	14.8	16.7	17.5
2 X 1/4"	19.1	19.1	22.6	23.7
2 1/4" X 3/16"	15.7	15.7	18.5	19.4
2 1/4" X 1/4"	21.1	21.1	25.4	26.2
2 1/2" X 3/16"	17.2	17.2	20.5	21.0
2 1/2" X 1/4"	23.2	23.2	28.1	29

# BAR GRATING DIAGRAM



**BAR GRATING DIAGRAM**





## **PSM TEXAS**

1310 Laurel Street  
San Antonio, TX 78201

## **PSM OKLAHOMA**

7287 E. Hwy. 88  
Oologah, OK 74053

## **CONTACT US**

Toll Free (866) 596-7537  
Fax: (866) 896-7537  
[www.psm-mfg.com](http://www.psm-mfg.com)